

## 54LS352/DM74LS352 Dual 4-Line to 1-Line Data Selectors/Multiplexers

### General Description

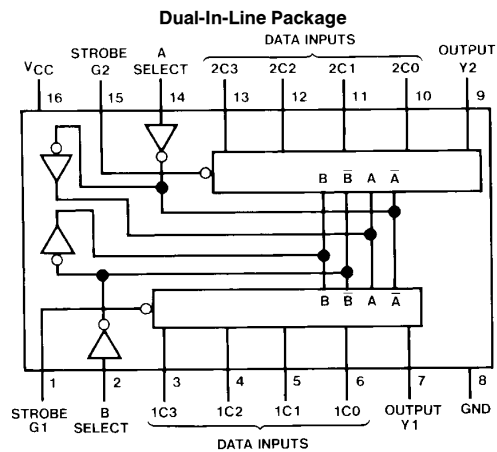
Each of these data selectors/multiplexers contains inverters and drivers to supply fully complementary, on-chip, binary decoding data selection to the AND-OR-invert gates. Separate strobe inputs are provided for each of the two four-line sections.

### Features

- Inverting version of DM54/74LS153
- Permits multiplexing from N lines to 1 line

- Performs parallel-to-serial conversion
- Strobe (enable) line provided for cascading (N lines to n lines)
- High fan-out, low-impedance, totem-pole outputs
- Typical average propagation delay times
  - From data 15 ns
  - From strobe 19 ns
  - From select 22 ns
- Typical power dissipation 31 mW

### Connection Diagram



TL/F/6425-1

**Order Number 54LS352DMQB, 54LS352FMQB,  
DM74LS352M or DM74LS352N**  
See NS Package Number J16A, M16A, N16E or W16A

### Function Table

Select Inputs	Data Inputs				Strobe	Output
	B	A	C0	C1		
X	X	X	X	X	X	H
L	L	L	X	X	X	L
L	L	H	X	X	X	L
L	H	X	L	X	X	L
L	H	X	H	X	X	L
H	L	X	X	L	X	L
H	L	X	X	H	X	L
H	H	X	X	X	L	L
H	H	X	X	X	H	L

Select inputs A and B are common to both sections.  
H = High Level, L = Low Level, X = Don't Care

## Absolute Maximum Ratings (Note)

If Military/Aerospace specified devices are required, please contact the National Semiconductor Sales Office/Distributors for availability and specifications.

Supply Voltage	7V
Input Voltage	7V
Operating Free Air Temperature Range	
54LS	−55° C to +125° C
DM74LS	0° C to +70° C
Storage Temperature Range	−65° C to +150° C

Note: The "Absolute Maximum Ratings" are those values beyond which the safety of the device cannot be guaranteed. The device should not be operated at these limits. The parametric values defined in the "Electrical Characteristics" table are not guaranteed at the absolute maximum ratings. The "Recommended Operating Conditions" table will define the conditions for actual device operation.

## Recommended Operating Conditions

Symbol	Parameter	54LS352			DM74LS352			Units
		Min	Nom	Max	Min	Nom	Max	
V <sub>CC</sub>	Supply Voltage	4.5	5	5.5	4.75	5	5.25	V
V <sub>IH</sub>	High Level Input Voltage	2			2			V
V <sub>IL</sub>	Low Level Input Voltage			0.7			0.8	V
I <sub>OH</sub>	High Level Output Current			−0.4			−0.4	mA
I <sub>OL</sub>	Low Level Output Current			12			8	mA
T <sub>A</sub>	Free Air Operating Temperature	−55		125	0		70	°C

## Electrical Characteristics over recommended operating free air temperature range (unless otherwise noted)

Symbol	Parameter	Conditions	Min	Typ (Note 1)	Max	Units
V <sub>I</sub>	Input Clamp Voltage	V <sub>CC</sub> = Min, I <sub>I</sub> = −18 mA			−1.5	V
V <sub>OH</sub>	High Level Output Voltage	V <sub>CC</sub> = Min, I <sub>OH</sub> = Max V <sub>IL</sub> = Max, V <sub>IH</sub> = Min	54LS 2.5 DM74 2.7	3.4		V
V <sub>OL</sub>	Low Level Output Voltage	V <sub>CC</sub> = Min, I <sub>OL</sub> = Max V <sub>IL</sub> = Max, V <sub>IH</sub> = Min	54LS DM74	0.35	0.4 0.5	V
		I <sub>OL</sub> = 4 mA V <sub>CC</sub> = Min	DM74	0.25	0.4	
I <sub>I</sub>	Input Current @ Max Input Voltage	V <sub>CC</sub> = Max, V <sub>I</sub> = 10V	54LS		0.1	mA
		V <sub>CC</sub> = Max, V <sub>I</sub> = 7V	DM74			
I <sub>IH</sub>	High Level Input Current	V <sub>CC</sub> = Max, V <sub>I</sub> = 2.7V			20	μA
I <sub>IL</sub>	Low Level Input Current	V <sub>CC</sub> = Max, V <sub>I</sub> = 0.4V			−0.4	mA
I <sub>OS</sub>	Short Circuit Output Current	V <sub>CC</sub> = Max (Note 2)	54LS −20 DM74 −20		−100 −100	mA
I <sub>CC</sub>	Supply Current	V <sub>CC</sub> = Max (Note 3)		6.2	10	mA

Note 1: All typicals are at V<sub>CC</sub> = 5V, T<sub>A</sub> = 25°C.

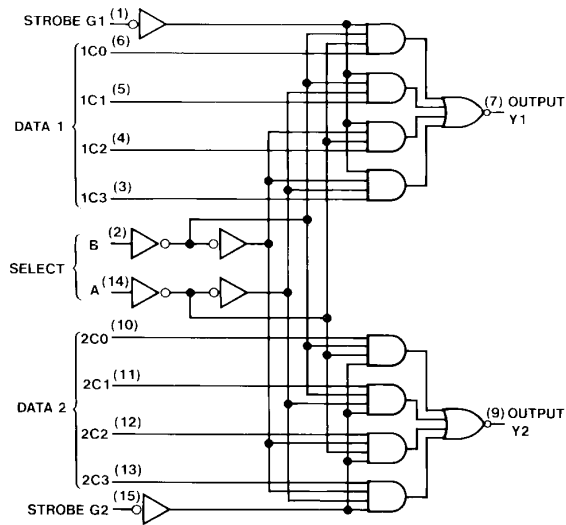
Note 2: Not more than one output should be shorted at a time, and the duration should not exceed one second.

Note 3: I<sub>CC</sub> is measured with all outputs open and all other inputs at ground.

**Switching Characteristics** at  $V_{CC} = 5V$  and  $T_A = 25^\circ C$  (See Section 1 for Test Waveforms and Output Load)

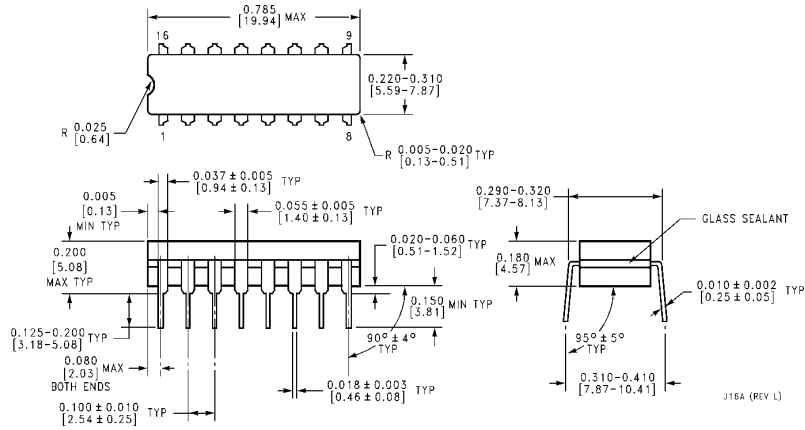
Symbol	Parameter	From (Input) To (Output)	54LS		DM74LS		Units
			$C_L = 15 \text{ pF}$		$C_L = 50 \text{ pF}$ $R_L = 2 \text{ k}\Omega$		
			Min	Max	Min	Max	
$t_{PLH}$	Propagation Delay Time Low to High Level Output	Data to Y		12		24	ns
$t_{PHL}$	Propagation Delay Time High to Low Level Output	Data to Y		12		35	ns
$t_{PLH}$	Propagation Delay Time Low to High Level Output	Select to Y		22		33	ns
$t_{PHL}$	Propagation Delay Time High to Low Level Output	Select to Y		38		47	ns
$t_{PLH}$	Propagation Delay Time Low to High Level Output	Strobe to Y		15		29	ns
$t_{PHL}$	Propagation Delay Time High to Low Level Output	Strobe to Y		20		41	ns

**Logic Diagram**

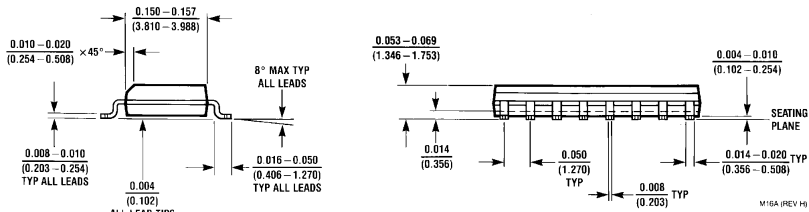
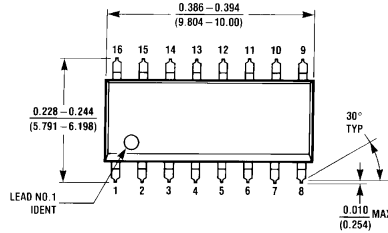


TL/F/6425-2

**Physical Dimensions** inches (millimeters)

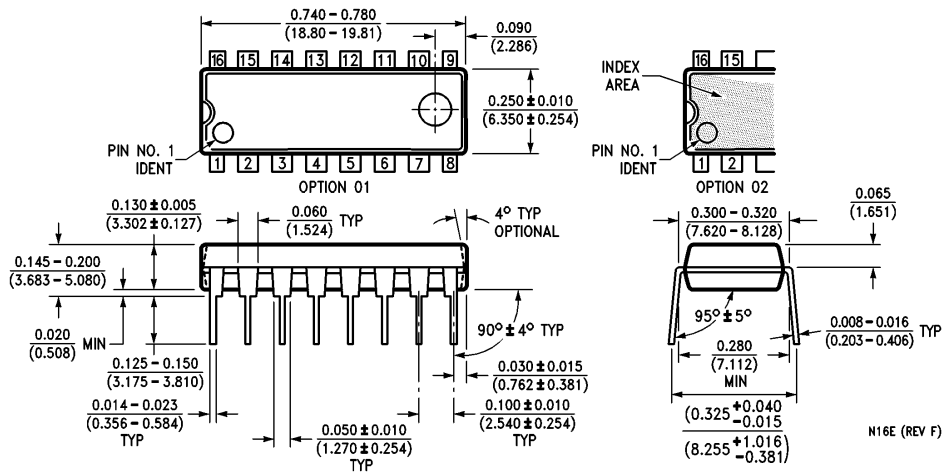


**16-Lead Ceramic Dual-In-Line Package (J)**  
**Order Number 54LS352DMQB**  
**NS Package Number J16A**



**16-Lead Small Outline Molded Package (M)**  
**Order Number DM74LS352M**  
**NS Package Number M16A**

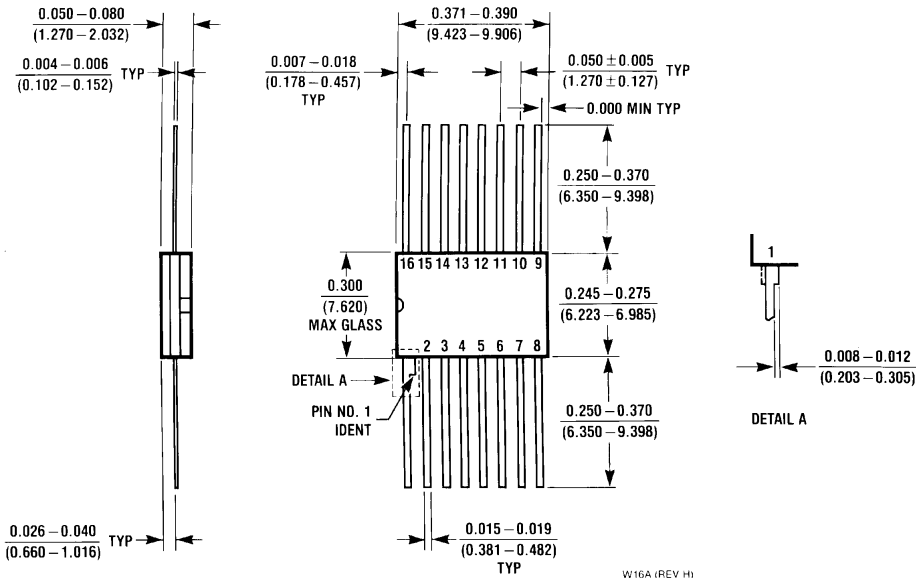
**Physical Dimensions** inches (millimeters) (Continued)



**16-Lead Molded Dual-In-Line Package (N)**  
**Order Number DM74LS352N**  
**NS Package Number N16E**

N16E (REV F)

**Physical Dimensions** inches (millimeters) (Continued)



**16-Lead Ceramic Flat Package (W)**  
**Order Number 54LS352FMQB**  
**NS Package Number W16A**

W16A (REV. H)

**LIFE SUPPORT POLICY**

NATIONAL'S PRODUCTS ARE NOT AUTHORIZED FOR USE AS CRITICAL COMPONENTS IN LIFE SUPPORT DEVICES OR SYSTEMS WITHOUT THE EXPRESS WRITTEN APPROVAL OF THE PRESIDENT OF NATIONAL SEMICONDUCTOR CORPORATION. As used herein:

1. Life support devices or systems are devices or systems which, (a) are intended for surgical implant into the body, or (b) support or sustain life, and whose failure to perform, when properly used in accordance with instructions for use provided in the labeling, can be reasonably expected to result in a significant injury to the user.
2. A critical component is any component of a life support device or system whose failure to perform can be reasonably expected to cause the failure of the life support device or system, or to affect its safety or effectiveness.



**National Semiconductor Corporation**  
 1111 West Bardin Road  
 Arlington, TX 76017  
 Tel: 1(800) 272-9959  
 Fax: 1(800) 737-7018

**National Semiconductor Europe**  
 Fax: (+49) 0-180-530 85 86  
 Email: onjwge@tevm2.nsc.com  
 Deutsch Tel: (+49) 0-180-530 85 85  
 English Tel: (+49) 0-180-532 78 32  
 Français Tel: (+49) 0-180-532 93 58  
 Italiano Tel: (+49) 0-180-534 16 80

**National Semiconductor Hong Kong Ltd.**  
 13th Floor, Straight Block,  
 Ocean Centre, 5 Canton Rd.  
 Tsimshatsui, Kowloon  
 Hong Kong  
 Tel: (852) 2737-1600  
 Fax: (852) 2736-9960

**National Semiconductor Japan Ltd.**  
 Tel: 81-043-299-2309  
 Fax: 81-043-299-2408

National does not assume any responsibility for use of any circuitry described, no circuit patent licenses are implied and National reserves the right at any time without notice to change said circuitry and specifications.